

Snow Melting Cable and Mats – Data Sheet

GENERAL PRODUCT INFORMATION

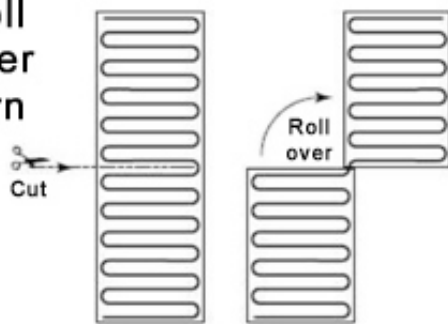
ProLine snow melting heat cable is a trusted, industry leading cable that is popular in a wide variety of commercial and residential radiant snowmelt applications. The snow melting cable consists of a resistance-heating element insulated with Fluoropolymer (FP) with a high dielectric strength. A metallic sheath is provided to give additional mechanical strength and provide a ground path. A final outer jacket of Polyolefin is provided for corrosion protection and durability. ProLine snow melting mats feature pre-spaced heat cable (3 and 4-inch spacing) in mats that can be rolled out for quick, easy installation.

FEATURES INCLUDE:

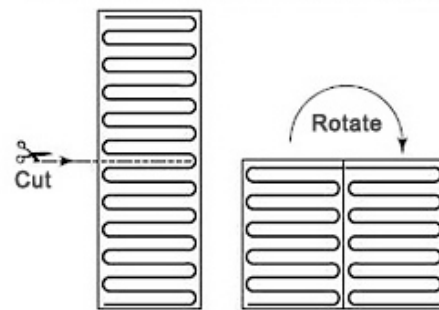
- Single point connection
- Twin conductor cable
- Durable construction and flexible installation
- Silent, efficient and safe
- Maintenance free
- For use in concrete, asphalt and under pavers
- CSA listed in U.S. and Canada
- 10-year limited warranty against manufacturing defects
- All mats heat an area 2-feet wide. Power leads are 16.4 feet in length.



Roll over turn



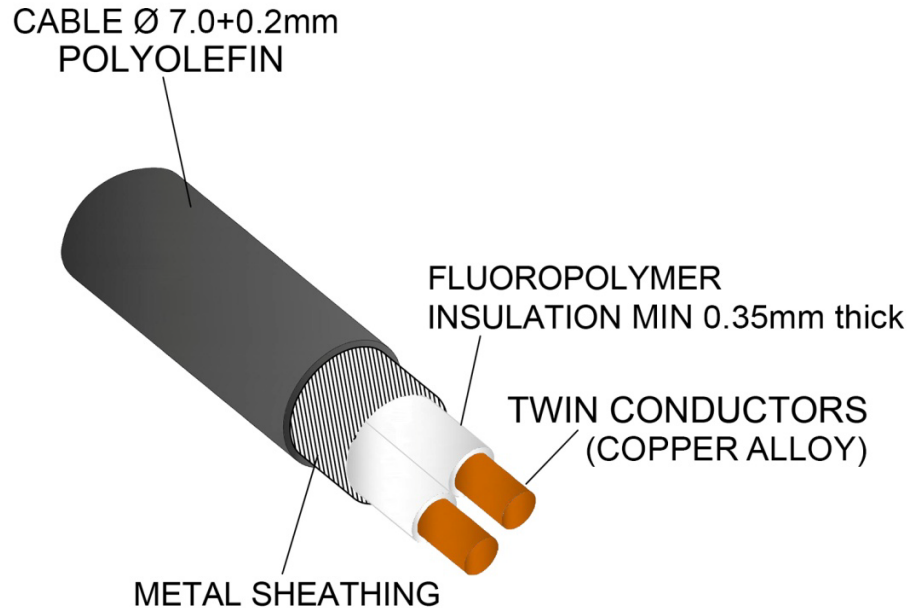
180° or Back-to-Back Turn



SPECIFICATIONS

Cable Construction:	Twin conductor
Rated Voltage:	208-600 V (For 277, 600 V, please call.)
Output (mats):	37 W/ft ² and 50W/ft ²
Cold lead:	16.4 feet (5.0 m). Longer cold leads available on request.
Bending Diameter:	Minimum 2 inches (51 mm)
Cable Diameter:	¼ inches (7 mm)
Conductor Insulation:	Fluoropolymer
Metal Sheath:	Copper
Outer Sheath:	Polyolefin
Max. External Jacket Asphalt Temperature:*	220°F (105°C) *[460°F (240°C) for up to 10 minutes]
Max. External Jacket Temperature:	158°F (70°C)
Max. Conductor Insulation Temperature:	302°F (150°C)
Min. Installation Temperature:	5°F (-15°C)

ProLine Snow Melting Cable Cross Section



SOME KEY INSTALLATION TIPS

1. Always maintain proper cable spacing. (Minimum spacing is 2 inches (center-to-center) and maximum cable spacing is 4 inches, center-to-center.)
2. Never allow the cables to cross or touch.
3. Never cut the heating cable.
4. In concrete and asphalt applications, the installed heating cable should be 2 inches from the finished surface. (The heating cable should never be resting on the ground prior to the pour.)
5. Never run heating cable through an expansion joint. (Make sure the joint is tooled or cut NO deeper than 1¼-inches. The cable must be ¾ to 1-inch below the bottom of the joint.)
6. Do not flex or strain the cable splice by pulling on the cable. All of the cable must be embedded, including the entire splice and 6 inches of cold lead.
7. Avoid kinking or bending the cable sharply (which causes the insulation to “bubble” and pull away from the cable).
8. When installing heat cable in paver applications, make certain that there is ½-inch of compacted paver sand or stone dust on top of the heating cables or mats. (Cables must be completely encased – with no air gaps.)



ORDERING INFORMATION

Snow Melting Mats

240 Volt (37 W/Sq. ft.)

Item Number 240 V Mat	Heated Area	Mat Length (feet)	Watts	Amps	Ohms
SM237112750	20	11	750	3.1	77.4
SM2373022000	54	30	2,000	8.3	28.9
SM2375123500	94	51	3,500	14.6	16.4
SM2376524500	120	65	4,500	18.8	12.8
SM2378025500	146	80	5,500	22.9	10.5

240 Volt (50 W/Sq. ft.)

Item Number 240 V Mat	Heated Area	Mat Length (feet)	Watts	Amps	Ohms
SM25052500	10	5	500	2.1	114.3
SM2501021000	20	11	1,000	4.2	57.1
SM2502522500	50	27	2,500	10.4	23.1
SM2504024000	80	44	4,000	16.7	14.4
SM2505525500	110	60	5,500	22.9	10.5

Snow Melting Mats for Hot Asphalt Applications

240 Volt (37 W/Sq. ft.)

Item Number 240 V Mat	Heated Area	Mat Length (feet)	Watts	Amps	Ohms
SMA237112750	20	11	750	3.1	77.4
SMA2373022000	54	30	2,000	8.3	28.9
SMA2375123500	94	51	3,500	14.6	16.4
SMA2376524500	120	65	4,500	18.8	12.8
SMA2378025500	146	80	5,500	22.9	10.5

SPECIAL ORDER SNOW MELTING MATS

Additional fulfillment time of 8-10 weeks required.

208 Volt (37 W/Sq. ft.)

Item Number 208 V Mat	Mat Length (feet)	Heated Area	Watts	Amps	Ohms
SM837112750	11	20	750	3.6	57.8
SM8373022000	30	54	2,000	9.6	21.7
SM8375123500	51	94	3,500	16.8	12.4
SM8376524500	65	120	4,500	21.6	9.6
SM8377625500	76	139	5,200	25.0	8.3
SM8378726000	87	160	6,000	28.8	7.2

208 Volt (50 W/Sq. ft.)

Item Number 208 V Mat	Mat Length (feet)	Heated Area	Watts	Amps	Ohms
SM85032300	3	6	300	1.4	144.2
SM85052500	5	10	500	2.4	86.6
SM8501121000	11	20	1,000	4.8	43.3
SM8501621500	16	30	1,500	7.2	28.8
SM8502222000	22	40	2,000	9.6	21.6
SM8502722500	27	50	2,500	12.0	17.3
SM8503323000	33	60	3,000	14.4	14.4
SM8503823500	38	70	3,500	16.8	12.4
SM8504424000	44	80	4,000	19.2	10.8
SM8504924500	49	90	4,500	21.6	9.6
SM8505525000	55	100	5,000	24.0	8.7
SM8506025500	60	110	5,500	26.4	7.9
SM8506526000	65	120	6,000	28.8	7.2

277 Volt (37 W/Sq. ft.)

Item Number 277 V Mat	Mat Length (feet)	Heated Area	Watts	Amps	Ohms
SM737112750	11	20	750	2.7	102.3
SM7373022000	30	55	2,000	7.2	38.4
SM7375123500	51	95	3,500	12.6	22.0
SM7376524500	65	120	4,500	16.2	17.1
SM7378025500	80	146	5,500	19.9	13.9
SM7378726000	87	160	6,000	21.7	12.8

277 Volt (50 W/Sq. ft.)

Item Number 277 V Mat	Heated Area	Mat Length (feet)	Watts	Amps	Ohms
SM75032300	6	3	300	1.1	255.7
SM75052500	10	5	500	1.8	153.5
SM7501121000	20	11	1,000	3.6	76.7
SM7501621500	30	16	1,500	5.4	51.2
SM7502222000	40	22	2,000	7.2	38.4
SM7502722500	50	27	2,500	9.0	30.7
SM7503323000	60	33	3,000	10.8	25.6
SM7503823500	70	38	3,500	12.6	21.9
SM7504424000	80	44	4,000	14.4	19.2
SM7504924500	90	49	4,500	16.2	17.1
SM7505525000	100	55	5,000	18.1	15.3
SM7506025500	110	60	5,500	19.9	14.0
SM7506526000	120	65	6,000	21.7	12.8

480 Volt (37 W/Sq. ft.)

Item Number 480 V Mat	Mat Length (feet)	Heated Area	Watts	Amps	Ohms
SM737112750	11	20	750	1.6	307.2
SM7373022000	30	55	2,000	4.2	115.2
SM7375123500	51	95	3,500	7.3	65.8
SM7376524500	65	120	4,500	9.4	51.2
SM7378025500	80	146	5,500	11.5	41.9
SM7378726000	87	160	6,000	12.5	38.4

480 Volt (50 W/Sq. ft.)

Item Number 480 V Mat	Mat Length (feet)	Heated Area	Watts	Amps	Ohms
SM45052500	5	10	500	1.0	460.8
SM4501121000	11	20	1,000	2.1	230.4
SM4501621500	16	30	1,500	3.1	153.6
SM4502222000	22	40	2,000	4.2	115.2
SM4502722500	27	50	2,500	5.2	92.2
SM4503323000	33	60	3,000	6.3	76.8
SM4503823500	38	70	3,500	7.3	65.8
SM4504424000	44	80	4,000	8.3	57.6
SM4504924500	49	90	4,500	9.4	51.2
SM4505525000	55	100	5,000	10.4	46.1
SM4506025500	60	110	5,500	11.5	41.9
SM4506526000	65	120	6,000	12.5	38.4

ORDERING INFORMATION

Snow Melting Cable



240 Volt (37 W and 50 W/Sq. ft.)

Item Number 240 V Cable	Length (feet)	Heated Area (50 W/Sq. ft.) 3-inch spacing	Heated Area (50 W/Sq. ft.) 4-inch spacing	Watts	Amps	Ohms
SC237450	37	9	12	450	1.9	128.0
SC262750	62	15	20	750	3.1	77.4
SC2841000	84	20	27	1,000	4.2	57.1
SC21682000	168	40	55	2,000	8.3	28.9
SC22092500	209	50	70	2,500	10.4	23.1
SC22933500	293	70	95	3,500	14.6	16.4
SC23754500	375	90	125	4,500	18.8	12.8
SC24585500	458	110	150	5,500	22.9	10.5

SPECIAL ORDER SNOW MELTING CABLE

Additional fulfillment time of 8-10 weeks required.

ORDERING INFORMATION

208 Volt

Item Number 208 V Cable	Length (feet)	Heated Area (50 W/Sq. ft.) 3-inch spacing	Heated Area (50 W/Sq. ft.) 4-inch spacing	Watts	Amps	Ohms
SC825300	25	6	8	300	1.4	144.2
SC843500	43	10	14	500	2.4	86.6
SC8861000	86	20	29	1,000	4.8	43.3
SC81271500	127	30	42	1,500	7.2	28.8
SC81702000	170	40	57	2,000	9.6	21.6
SC82132500	213	50	71	2,500	12.0	17.3
SC82563000	256	60	85	3,000	14.4	14.4
SC82993500	299	70	100	3,500	16.8	12.4
SC83404000	340	80	113	4,000	19.2	10.8
SC83834500	383	90	128	4,500	21.6	9.6
SC84265000	426	100	142	5,000	24.0	8.7
SC84695500	469	110	156	5,500	26.4	7.9
SC85126000	512	120	171	6,000	28.8	7.2

277 Volt

Item Number 277 V Cable	Length (feet)	Heated Area (50 W/Sq. ft.) 3-inch spacing	Heated Area (37 W/Sq. ft.) 4-inch spacing	Watts	Amps	Ohms
SC725300	25	6	8	300	1.1	255.8
SC743500	43	10	14	500	1.8	153.5
SC7861000	86	20	29	1,000	3.6	76.7
SC71271500	127	30	42	1,500	5.4	51.2
SC71702000	170	40	57	2,000	7.2	38.4
SC72132500	213	50	71	2,500	9.0	30.7
SC72563000	256	60	85	3,000	10.8	25.6
SC72993500	299	70	100	3,500	12.6	21.9
SC73404000	340	80	113	4,000	14.4	19.2
SC73834500	383	90	128	4,500	16.2	17.1
SC74265000	426	100	142	5,000	18.1	15.3
SC74695500	469	110	156	5,500	19.9	14.0
SC75126000	512	120	171	6,000	21.7	12.8

408 Volt (37 W/Sq. ft.)

Item Number 408 V Cable	Cable Length (feet)	Heated Area (50 W/Sq. ft.) 3-inch spacing	Heated Area (37 W/Sq. ft.) 4-inch spacing	Watts	Amps	Ohms
SC443500	43	10	14	500	1.0	460.8
SC41271500	127	30	42	1,500	3.1	153.6
SC41702000	170	40	57	2,000	4.2	115.2
SC42563000	256	60	85	3,000	6.3	76.8
SC43404000	340	80	113	4,000	8.3	57.6
SC44265000	426	100	142	5,000	10.4	46.1
SC44695500	469	110	156	5,500	11.5	41.9

ORDERING INFORMATION

Activation Devices – Markers

	Item #	Description	Voltage
	WS-2C	Aerial Mounted Snow Switch (30 amps) Moisture and temperature sensing	120, 240
	WS-5C	Aerial Mounted Snow Switch (60 amps) Moisture and temperature sensing	120, 240
	WS-8C	Aerial Mounted Snow Switch (30 amps) Moisture and temperature sensing Includes remote moisture sensor	120, 240
	WS-AUX	Auxiliary Control Unit for Aerial Mounted Snow Switch	120, 240
	WS-02	Controller and Mounting Box and for Pavement Mounted Sensor	120, 240
	WS-56	Pavement Mounted Snow Sensor Moisture and temperature sensing	120, 240
	Warmplate	Embedded Marker Plate (NEC Required)	n/a

Contactor Panels



Contactor Panel with GFP

Description	Max Amps	Coil Voltage	Number of Contactors	Dimensions
Single Contactor Panel Used to control power supply and heating cables (120 - 600 V) NEMA 1 contactor panel	50	120, 208-240	1	4x4x4
Dual Contactor Panel. Used to control power supply and heating cables (120 - 600 V) NEMA 4X contactor panel	100	120	2	10" x 10" x 4" (254 mm x 254 mm x 102 mm)
Quad Contactor Panel. Used to control power supply and heating cables (120 - 600 V) NEMA 4X contactor panel	200	120	4	12" x 12" x 6" (305 mm x 305 mm x 152 mm)
Dual Contactor Panel with GFP. Used to control power supply and heating cables (120 - 600 V) NEMA 4X contactor panel	100	120	2	10" x 10" x 4" (254 mm x 254 mm x 102 mm)
Quad Contactor Panel with GFP. Used to control power supply and heating cables (120 - 600 V) NEMA 4X contactor panel	200	120	4	16" x 14" x 6" (406 mm x 356 mm x 152 mm)



WARRANTY INFORMATION

ProLine Heating Mats and Cables: 10-year limited warranty.

Controls and activation devices: 2-year limited warranty.

ProLine snow melting heat cable is CSA approved for both US and Canada.

ProLine Radiant reserves the right to alter its products without notice. This also applies to products already on order provided that such alteration can be made without subsequent changes being necessary in specifications already agreed upon. ProLine Radiant accepts no responsibility for possible errors in catalogs, brochures, other printed materials, and website information. All trademarks in this material are property of the respective companies. All rights reserved.

